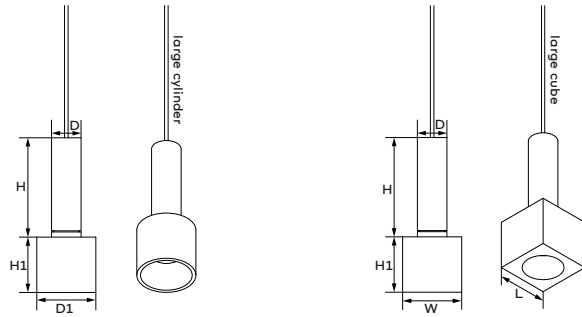


kreon installation manual

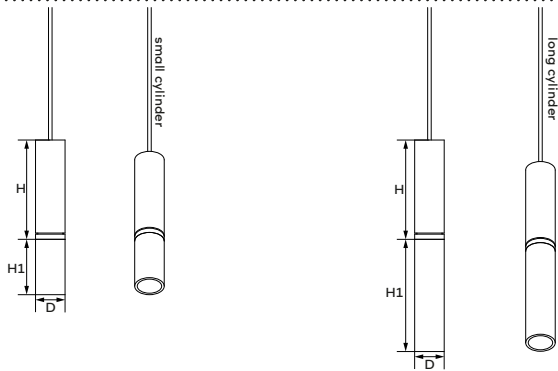
Caution:
The fixture should not be placed in direct sunlight.
The albast will lose its translucent property when it reaches temperatures above 50°C.

technics & dimensions



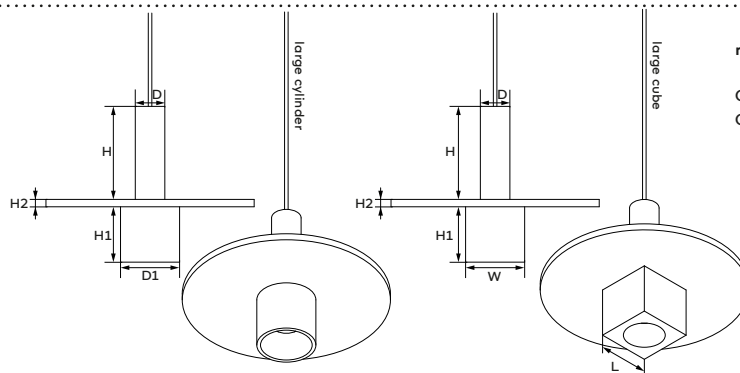
name	reference	current	DxH	D1	LxW	H1
Oran pendant stone large cylinder	KR99111X-90XX	700mA	ø40x135	ø80		75
Oran pendant stone large cube	KR99121X-90XX	700mA	ø40x135		80x80	75

technics & dimensions



name	reference	current	DxH	H1
Oran pendant small cylinder	KR99131X-90XX	700mA	ø40x135	75
Oran pendant long cylinder	KR99141X-90XX	700mA	ø40x135	152

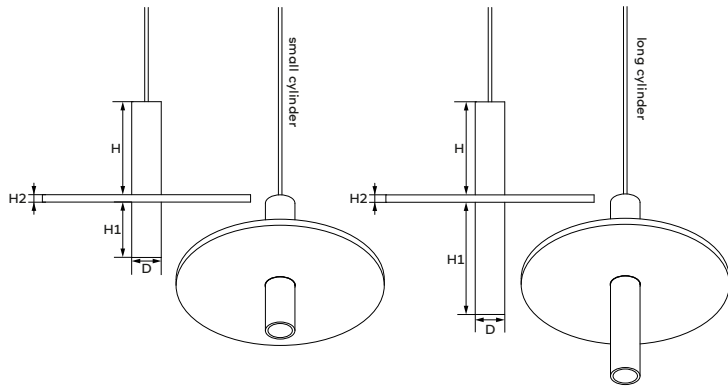
technics & dimensions



name	reference	current	DxH	D1	LxW	H1	H2
Oran pendant kap stone large cylinder	KR99113X-90XX-XX	700mA	ø40x126	ø80		75	10
Oran pendant kap stone large cube	KR99123X-90XX-XX	700mA	ø40x126		80x80	75	10

kreon installation manual

technics & dimensions

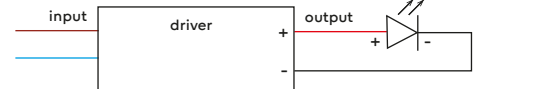


name	reference	current	DxH	H1	H2
Oran pendant kap small cylinder	KR99133X-90XX-XX	700mA	ø40x126	75	10
Oran pendant kap long cylinder	KR99143X-90XX-XX	700mA	ø40x126	152	10

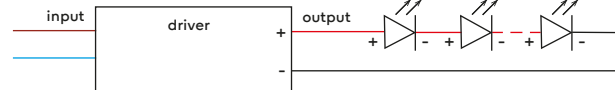
installation

electrical diagram

LED = 1

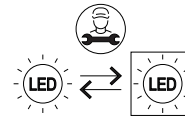


LED > 1



A class III-product or a string of these products in series, can only be used with a gear where $U_{out} \leq 120VDC!$

The light source contained in this luminaire shall only be replaced by the manufacturer or his service agent or a similar qualified person.



Please make sure the main voltage is disconnected before proceeding!

This product contains a light source of Energy Efficiency Class:

reference	Energy Efficiency Class
KR991X1X-9027	G
KR991X1X-9030	F
KR991X3X-9027-XX	G
KR991X3X-9030-XX	F

remarks & pictures

For installation of the pendants consult the installation manual of the suspension accessory.

Recessed suspension kit	KR791100
Surface mounted installation box white	KR791001
Surface mounted installation box black	KR791002
Surface mounted gearbox (for 1 module) white	KR791004
Surface mounted gearbox (for 1 module) black	KR791005
Surface mounted gearbox (up to 3 modules) white	KR791006
Surface mounted gearbox (up to 3 modules) black	KR791007

In case of gear exclusive in combination with the surface mounted installation box, the gear cannot be installed above the pendant on the hollow ceiling. Driver should be placed at a distance where it still can be reached in case of a problem.



kreon installation manual

6. installation

information

information

information

7. installation

information

information

information

8. installation

information

information

information

kreon installation manual

9. installation

information

information

information

accessories

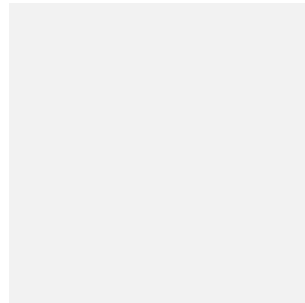
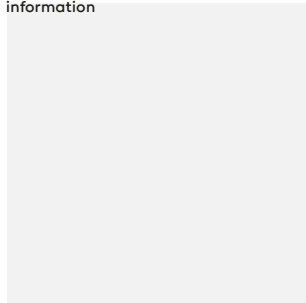
information

information

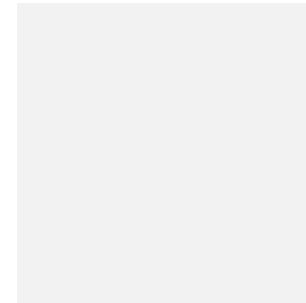
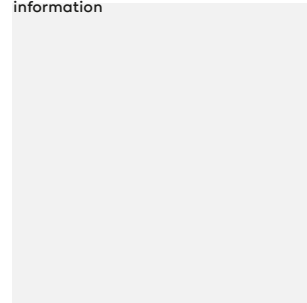
information

pictures

information



information



information

